



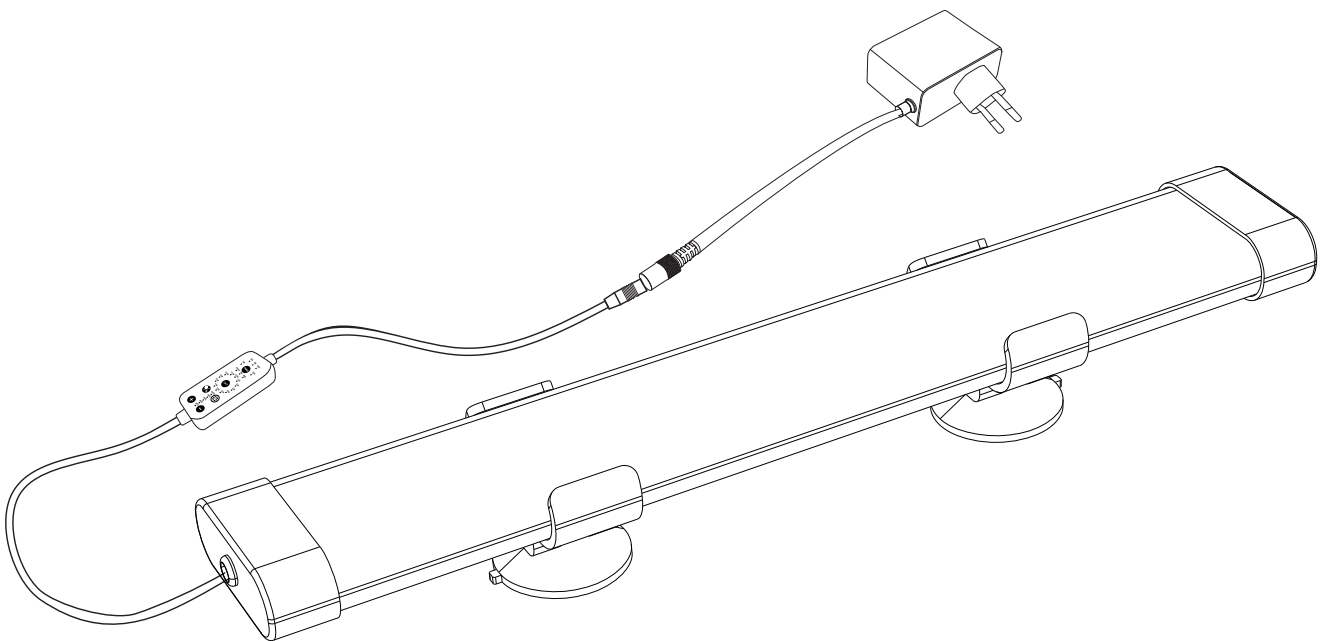
E-mail: distributor@hyggeraquarium.com

Website: www.hyggeraquarium.com



HG135 USER MANUAL

hygger Dunker Pro Submersible Aquarium LED Light



hygger Dunker Pro Submersible Aquarium LED Light is intended for planted aquariums. Please read this manual carefully before using and follow it strictly.

1. PRODUCT FEATURES

Ultra-bright: Powerful 5050 and 2835 LEDs provide abundant light for better observations and make the aquarium glow.

Built-in Timer and Lighting Duration: The lighting duration can be set to 4H, 6H, 8H, 10H, and 12H, and the timer allows the respective lighting program to run automatically in 24/7 mode.

Adjustable Light Color and Brightness: Press the setting button to select the desired color and brightness. One flash stands for a specific value, and a double flash stands for a double value. Nine colors are available in the M mode (white - red - green - blue - pink - purple - cyan - orange - gradient).

24/7 Lighting Mode: Within 24 hours, the aquarium light creates a natural course of the day with slow sunrise, daylight, sunset and moonlight. The start and end of the lighting time can be set individually.

Waterproof and Easy to Mount: It is submersible and comes with moveable suction cups. You can mount the light on the tank bottom or at the top.

Suitable for Planted and Freshwater Aquariums: This energy-saving and high-efficiency LED light is suitable for planted aquariums and other freshwater aquariums.

2. PRODUCT SPECIFICATIONS

| MODEL | HG135-8W | HG135-11W | HG135-14W | HG135-17W |
|---|--|---|---|--|
| LIGHT SIZE (NOT INCLUDING BRACKET) | 7x1.6x0.4inch (18.4x4x1.1cm) | 11x1.6x0.4inch (28.1x4x1.1cm) | 15x1.6x0.4inch (38.5x4x1.1cm) | 19x1.6x0.4inch (48.5x4x1.1cm) |
| APPLICATION | 8-17inch (20-43cm) | 12-23inch (30.5-58cm) | 16-27inch (40.5-68.5cm) | 20-35inch (50.8-89cm) |
| INPUT VOLTAGE | AC100-240V | | | |
| OUTPUT VOLTAGE | DC20V | | | |
| LED QUANTITY | 30PCS White 10pcs Blue 6pcs Red 1pc Green 1pc RGB 12pcs | 60PCS White 20pcs Blue 12pcs Red 2pcs Green 2pcs RGB 24pcs | 90PCS White 30pcs Blue 18pcs Red 3pcs Green 3pcs RGB 36pcs | 120PCS White 40pcs Blue 24pcs Red 4pcs Green 4pcs RGB 48pcs |
| RENDERING INDEX | 89 | | | |
| LUMENS | 410 | 540 | 690 | 840 |
| COLOR TEMP | 6500-10000K | | | |
| POWER CORD | 4.9ft+1.1ft+4.8ft (1.5m+0.34m+1.45m) | | | |

| | | | | |
|---|--|--|--|--|
| MODEL | HG135-21W | HG135-24W | HG135-29W | HG135-33W |
| LIGHT SIZE (NOT INCLUDING BRACKET) | 23x1.6x0.4inch (58.3x4x1.1cm) | 26.8x1.6x0.4inch (68.5x4x1.1cm) | 34.6x1.6x0.4 inch (88x4x1.1cm) | 42.5x1.6x0.4 inch (108x4x1.1cm) |
| APPLICATION | 24-43inch (61-109cm) | 28-54inch (71-137cm) | 32-62inch (81-157cm) | 36-70inch (91-178cm) |
| INPUT VOLTAGE | AC100-240V | | | |
| OUTPUT VOLTAGE | DC20V | | | |
| LED QUANTITY | 150PCS White 50pcs Blue 30pcs Red 5pcs Green 5pcs RGB 60pcs | 180PCS White 60pcs Blue 36pcs Red 6pcs Green 6pcs RGB 72pcs | 210PCS White 70pcs Blue 42pcs Red 7pcs Green 7pcs RGB 84pcs | 240PCS White 80pcs Blue 48pcs Red 8pcs Green 8pcs RGB 96pcs |
| RENDERING INDEX | 89 | | | |
| LUMENS | 1050 | 1200 | 1480 | 1690 |
| COLOR TEMP | 6500-10000K | | | |
| POWER CORD | 4.9ft+1.1ft+4.8ft (1.5m+0.34m+1.45m) | | | |

3. METHOD OF APPLICATION

CONTROLLER DIAGRAM

24/7 Mode for Setting Start and End of Lighting Time:

Long press the "24/7" button to set the start time. The START indicator lights up and the clock flashes, indicating that the START time can be set. Press the "+/-" button to select the start time as you need. Press "24/7" once again, the END indicator lights up, and press the "+/-" button to select the end time. Press the "24/7" button once to save the setting, the clock indicator lights up and the setting starts to run.

Please Note: If the "PM" display lights up, this means that you are in the second half of the day.

Press once briefly to switch ON. And press and hold the button to switch the light OFF. If the light is on, you can use this button to switch between the desired nine light colors (full bright white - red - green - blue - pink - purple - cyan - orange - gradient).

Button for the Timer in 24/7 Mode:

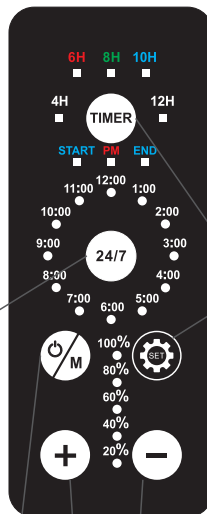
Press once briefly. The indicator light flashes at 4H (or 6H/8H...). The lighting switches on at the same time every day for 4H (or 6H/8H...) and runs through sunrise, daylight, and sunset until the light goes out automatically every day.

SET Button: Make sure that you have set the local time before operating the light in 24/7 mode.

Press and hold the "SET" button, and the dial will light up. Use the "+/-" buttons to set your local time.

Press the button briefly to open the 24/7 mode and the current time lights up.

Press the "+/-" buttons to set the desired brightness and lighting duration



4. INSTRUCTIONS

A.)METHOD OF APPLICATION

Place the tube in the proper position of the fish tank and fix it with suction cups.

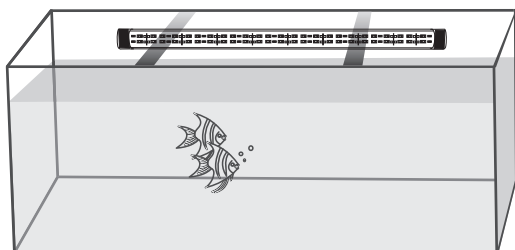


FIG-1 Suction
above the water

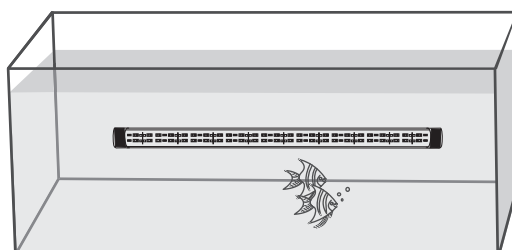


FIG-2 Submersible
under the water

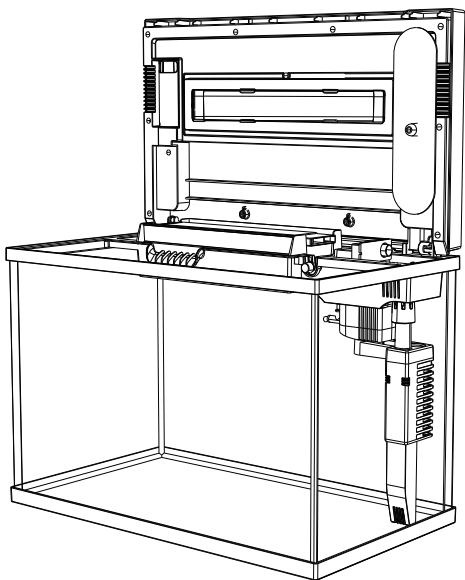


FIG-3 Suction
above the tank cover

B.)INSTRUCTION FOR USE

TIMER Button:

The default current light color and brightness defaults to timer mode.

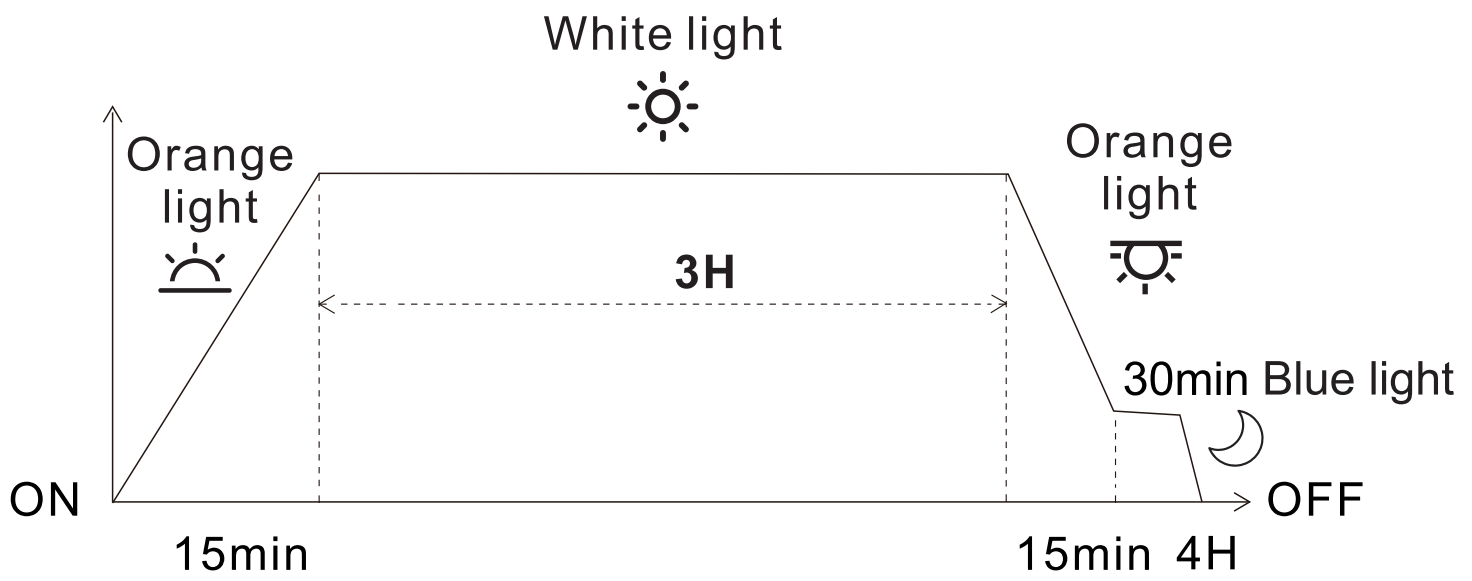
Please note:

1.The lighting duration can be set to 4H, 6H, 8H, 10H, and 12H. During the first 15 minutes of the lighting

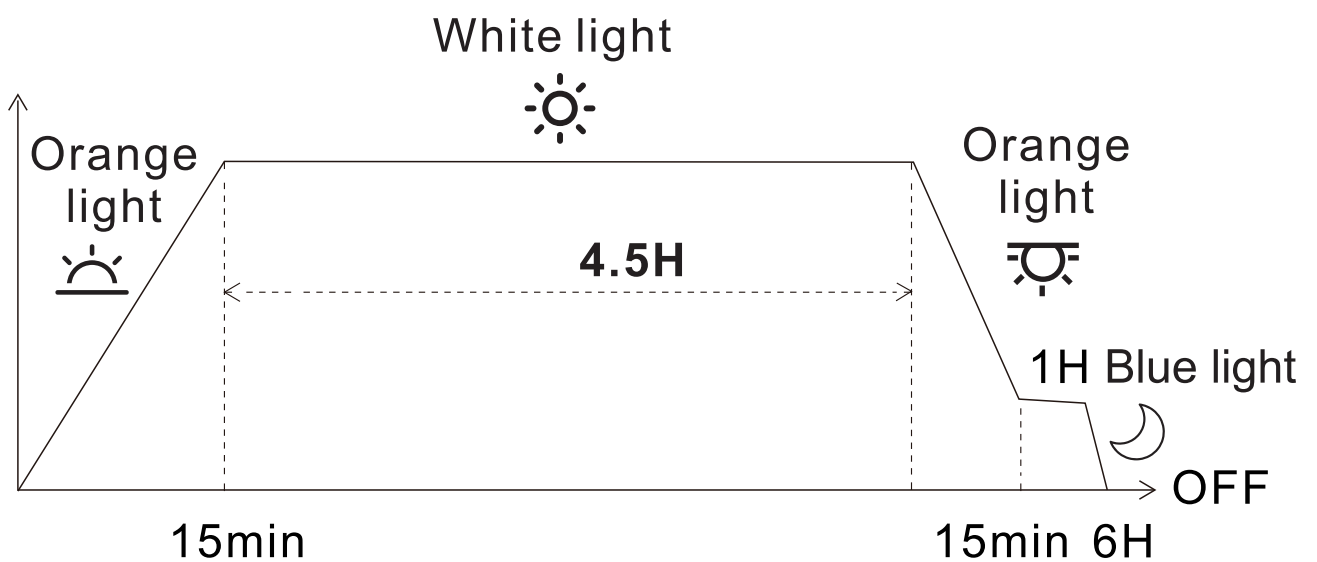
duration, the intensity of the orange light gradually increases until the light changes to white light. During the last 15 minutes of the lighting duration, the intensity of the orange light gradually decreases. (Press the button briefly to switch the lighting duration in sequence: 4H->6H->8H->10H->12H->switch off).

2. In full bright mode, the 5 lighting durations run as follows.

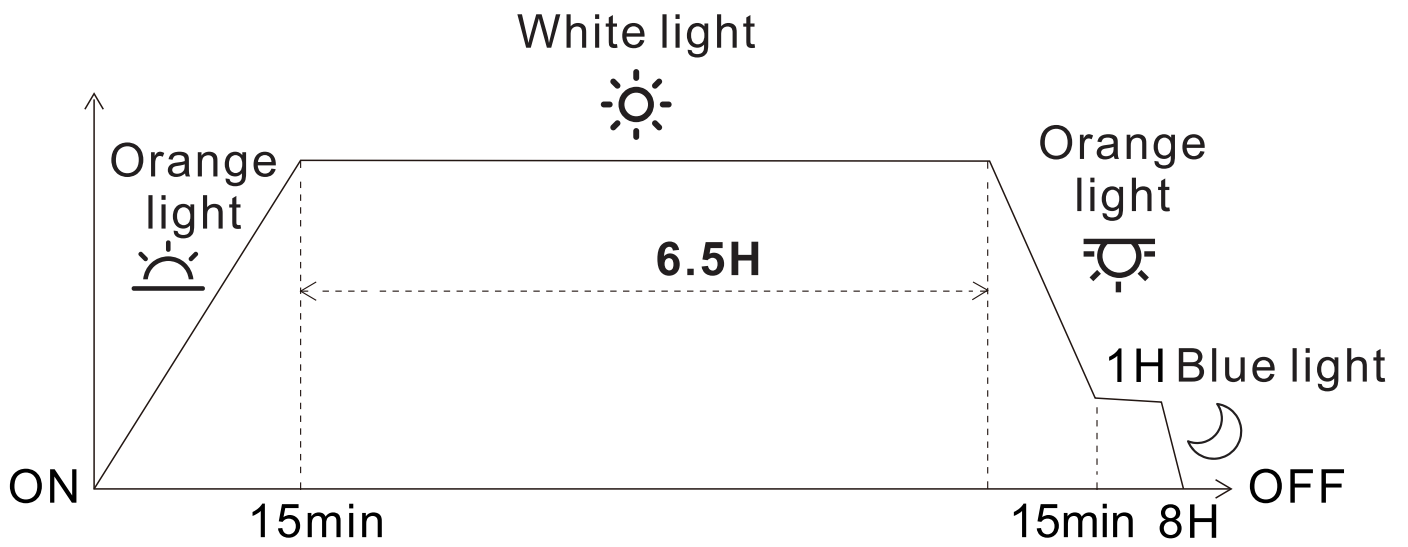
4H lighting duration



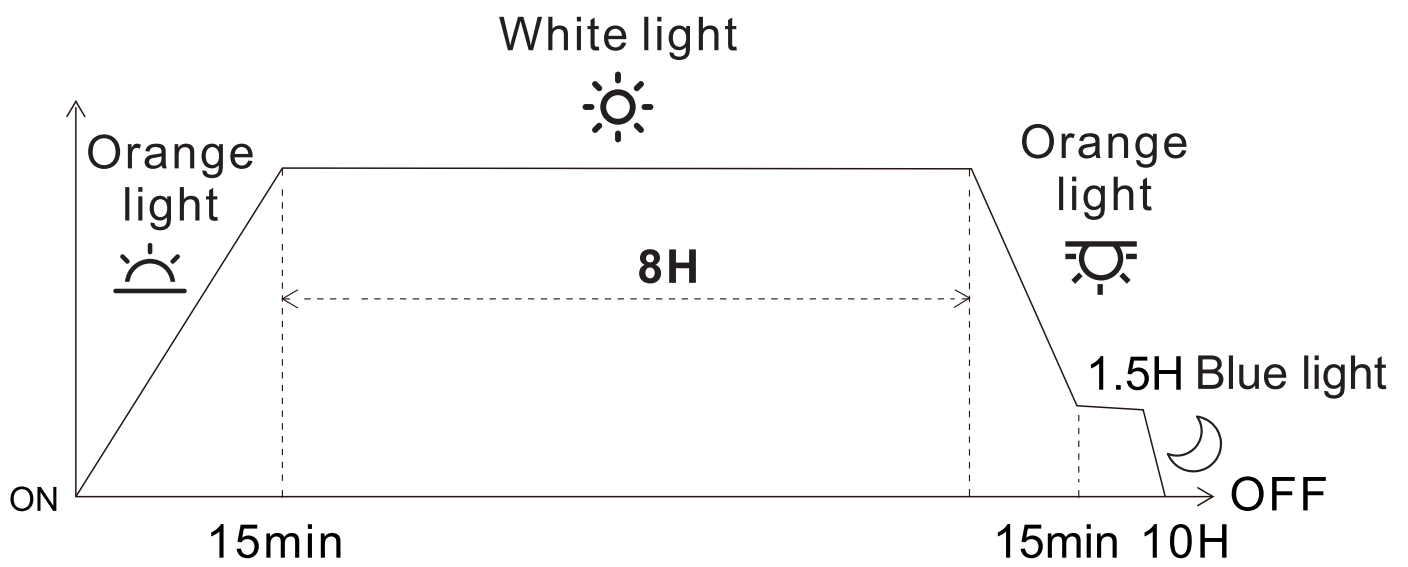
6H lighting duration



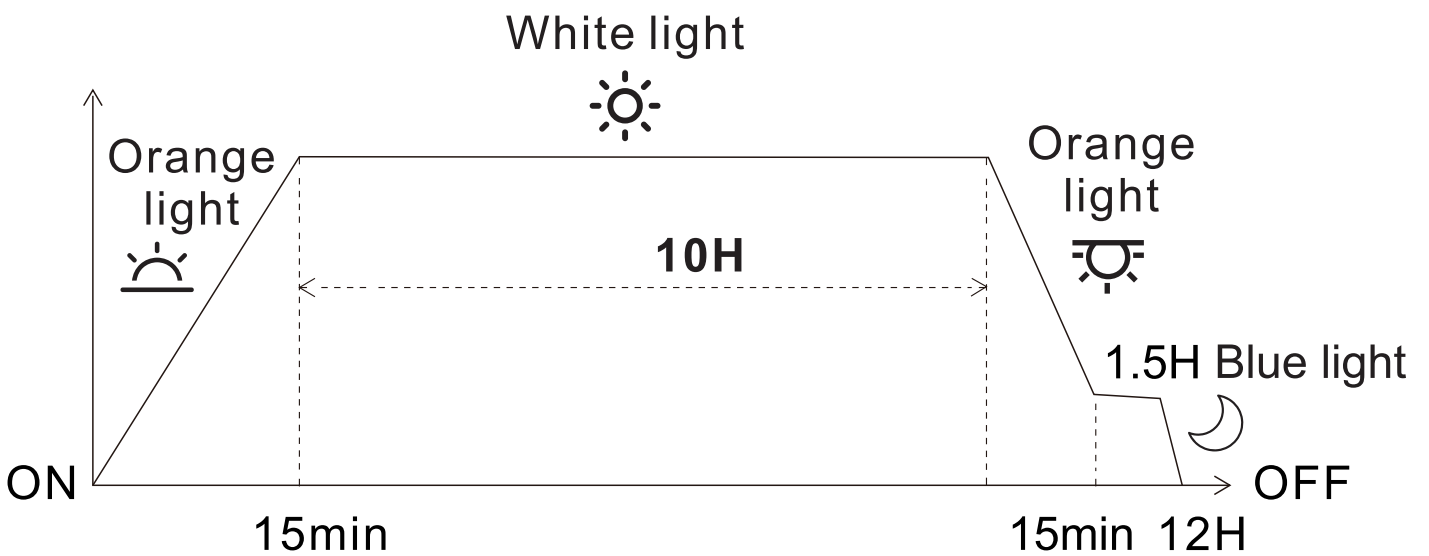
8H lighting duration



10H lighting duration

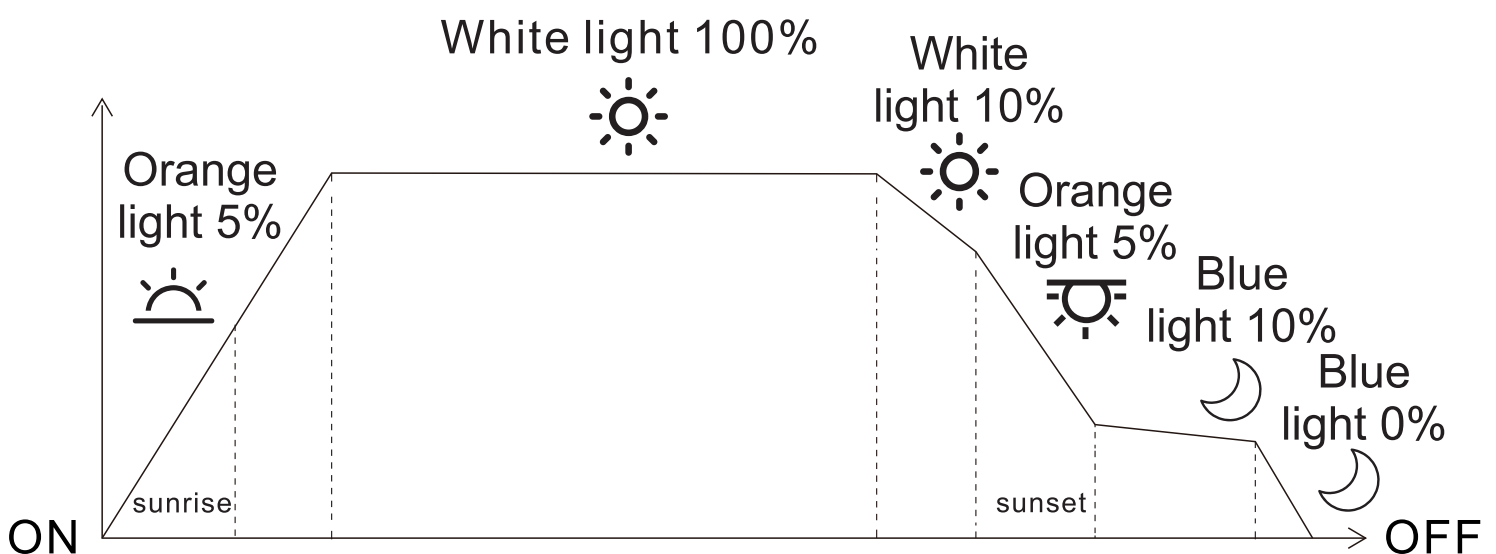


12H lighting duration



24/7 Mode Setting

Press and hold the 24/7 button for three seconds to set the 24/7 mode, and the START indicator light will light up. Press the +/- button to set the start of the lighting duration and press the 24/7 button again. The END indicator light flashes, and the START indicator light goes out. Press the +/- button to set the end of the lighting duration. Press the 24/7 button again to save the settings and exit settings. (You can set the start and end of the lighting duration as you wish; the intervals should not exceed 24 hours)



Please note: When the start and end of the lighting duration are same, the settings are indicated by the same indicator light. (e.g., if the light switches on and off at 6 o'clock, the 6 o'clock indicator light flashes)

Time Setting

Press and hold the SET button. All time indications on the dial (1:00-12:00) will light up, and the 6:00 indicator light will flash to indicate that it is 6:00. Press the +/- button to set the time (if 24/7 mode is activated, the light will change color according to the set time during setting). Press the SET button again to finish setting the time. (If the 24/7 mode is switched on, the 24/7 mode is automatically activated when you exit the setting. If 24/7 mode is switched off, 24/7 mode is automatically deactivated when you exit the setting)

Button

Press and hold to switch the light off, and press briefly to select the light color in sequence: full bright - white - red - green - blue - pink - purple - cyan - orange – gradient – full bright.

Press + button to increase the light brightness:
10%>20%>30%>40%>50%>60%>70%>80%>90%>100%. (Odd indicator light blinks and even indicator light stays on for a long time)

Press - button to decrease the light brightness:
100%>90%>80%>70%>60%>50%>40%>30%>20%>10%. (Odd indicator light blinks and even indicator light stays on for a long time)

5. ATTENTION

✓ Please read the manual carefully before using it and follow all instructions.

- ✓ Please keep the switch away from water, the switch is not waterproof.
 - ✓ Please keep the light away from flammable items.
 - ✓ Please unplug the power and contact the seller if the light is not working properly.
- **OPENING WILL VOID WARRANTY****
- ✓ Please unplug the power before maintenance.
 - ✓ Please remember that the temperature range for the light is 23~113°F(-5°C~45°C).

6. PACKING LIST

- 1× LED light
- 1× AC/DC power adapter
- 2x Sucker (3pcs suckers for 29W and 33W)
- 1× User manual

7. WARNING

To avoid possible electric shock, do not immerse the switch in the water. If the switch falls into the water or becomes wet, do not touch it until you have unplugged it. Basic safety precautions that should be observed are as follows:

1. Read and follow this user manual strictly.
2. **DANGER-** To avoid possible electric shock, special care should be taken since water is employed in the use of aquarium equipment. For each of the following situations, do not attempt to repair yourself. Instead, return the light to an authorized service facility for maintenance or discard it.

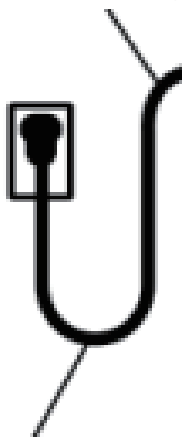
A. If the light falls into the water, DO NOT touch it. First unplug it, then retrieve it. If electrical components of the light get wet, unplug it immediately.

B. Carefully examine the light after installation. It should not be plugged in if there is water on parts that not intended to be wet.

C. Do not operate the light if it has a damaged cord or plug, is malfunctioning, dropped or damaged in any manner. The power cord of this light cannot be replaced. If the cord is damaged, the light should be discarded.

D. To avoid the possibility of the light plug getting wet, position the aquarium and its stand to one side of a wall mounted outlet to prevent water from dripping onto the outlet or plug. A “drip loop”, shown in the figure below, should be arranged by the user for each cord, which connects the light to the outlet. If an extension cord is used, the “drip loop” is the part of the cord below the level of the outlet or the connector that prevents water traveling along the cord and coming in contact with the outlet. If the plug or outlet does get wet, DO NOT unplug the cord. Disconnect the fuse to the circuit breaker that supplies power to the light. Then unplug and examine for the presence of water in the outlet. If you are not sure, consult a certified electrician.

POWER CORD



DRIP LOOP

3. Close supervision is necessary when the light is used near children.
4. To avoid injury, do not contact moving or hot parts.
5. Make sure the light is securely installed before operating it.
6. Read and observe all the important notices on the light.
7. If an extension cord is necessary, a cord with a proper rating should be used, such as rated amperes or watts. A cord rated for less amperes or watts than the appliance rating may overheat. Care should be taken to arrange the cord so that it will not be tripped over or pulled.
8. The light is intended FOR HOUSEHOLD USE ONLY.
9. SAVE THIS USER MANUAL.

8. HYGGER LIMITED MANUFACTURER'S WARRANTY

We offer the end user of this product a manufacturer warranty of 3(2) years from the date of sale if this product was purchased from a hygger[®] -authorised specialist dealer.

Retain receipt for any future warranty claim.

Conditions apply. Products are guaranteed by hygger[®] Aquatic Supplies to the original purchaser against defective material and workmanship under normal use for a period up to 3(2) years from the date of the original purchase through an Authorized Dealer.

Refer to the User Manual included with your product for specific warranty details.

Products have no warranty if:

- 1.) The product has been serviced, modified or tampered with by anyone other than hygger[®] Aquatic Supplies,
- 2.) The product has been abused or damaged (including broken or cracked bulbs), and/ or .
- 3.) The product has been transported without proper packaging.
- 4.) The product was purchased from an Unauthorized Reseller.

WARRANTY LIABILITY DISCLAIMER

In no event will hygger[®] be liable for any consequential or incidental damages, including but not limited to, lost aquatic life, personal injury, property damage, equipment damage, lost profits, lost wages, lost savings, lost income, etc., arising out of the use of any hygger[®] products.

1.0. Terms and Conditions of Warranty.

- 1.1. hygger[®] warrants to the purchaser, for 3(2) years from date of original purchase through an Authorized hygger[®] Reseller, free to repair or replace parts where fault is found due to defective materials or faulty workmanship and where goods do not operate in accordance with the instructions.
- 1.2. All claims for repair or replacement must be made at place of purchase.
- 1.3. Only the direct purchaser is entitled to warranty claims against us and these are not transferable without our consent.
- 1.4. The original and dated Proof of Purchase (receipt) must be supplied with all goods claims. Please also provide this Guarantee where possible.

- 1.5. Wear parts (e.g.: seals, suction devices, axes, pump wheels, light sources, pH electrodes, filter media, such as filter cartridges, as well as UVC burners), glass damage and the opening of the product, as well as structural changes or the use of non-hygger[®] original parts are excluded from the guarantee.
- 1.6. All goods subject to claim under Guarantee should be prepared for transportation in the original packaging or other comparable packaging which offers the same degree of protection and hygger[®] must incur no costs from the shipment.
- 1.7. Where claims on inspection reveal goods are in normal working order, hygger[®] will request reimbursement of all reasonable costs incurred.
- 1.8. Warranty claims do not exist in the case of only insignificant deviations from the agreed or customary condition or usability, e.g. insignificant deviations in colour, dimensions and/or quality or performance characteristics of the products.
- 1.9. Our warranty obligation extends only to the delivery of newly manufactured products. Unless otherwise agreed, used products are sold as seen, excluding any warranty.

For more warranty information, please see the hygger website.

9. DISPOSAL

Do not dispose this product as unsorted municipal waste. This product must not be disposed together with the domestic waste it must be disposed of at an authorized place for recycling of electrical and electronic appliances. By collecting and recycling waste, you help save natural resources, and make sure the product is disposed in an environmental friendly way.



10. CONTACT INFORMATION

Distributed by: Hygger Aquarium, Inc.
13941 Magnolia Ave, Chino, CA 91710

E-mail: distributor@hyggeraquarium.com

Website: www.hyggeraquarium.com

Trademarks of Shenzhen Mago Trading Co., Ltd
Bantian Group Business Center, Longgang,
Shenzhen City, China
All Rights Reserved

Made in China